

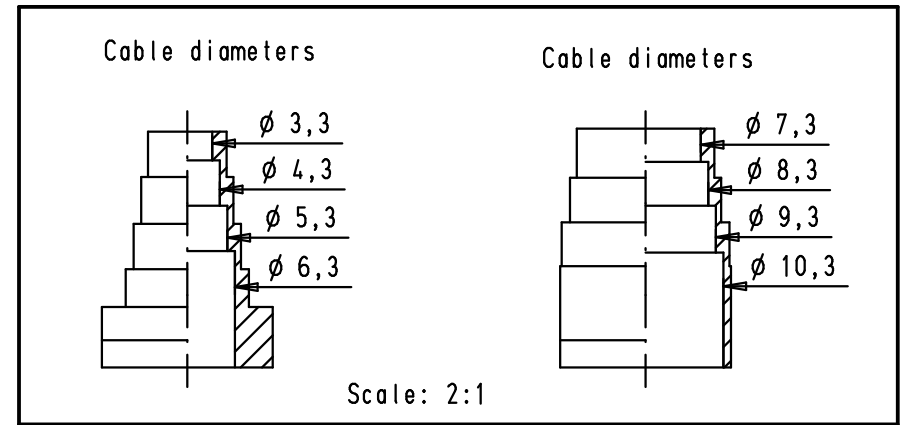
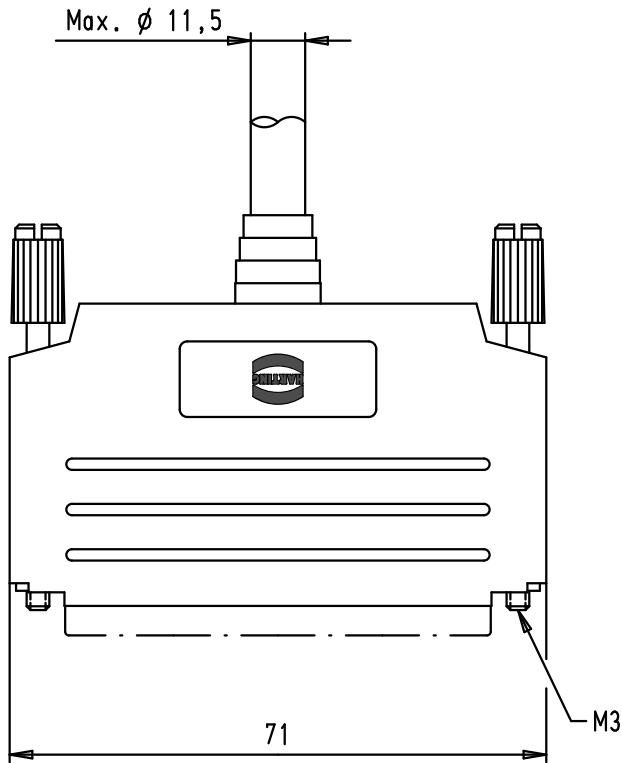
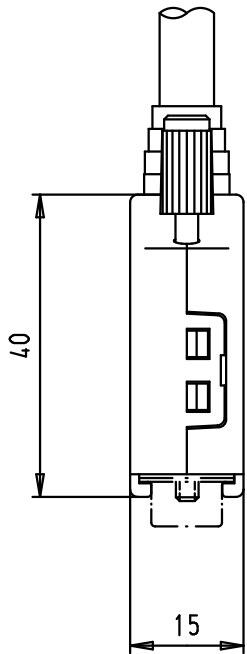
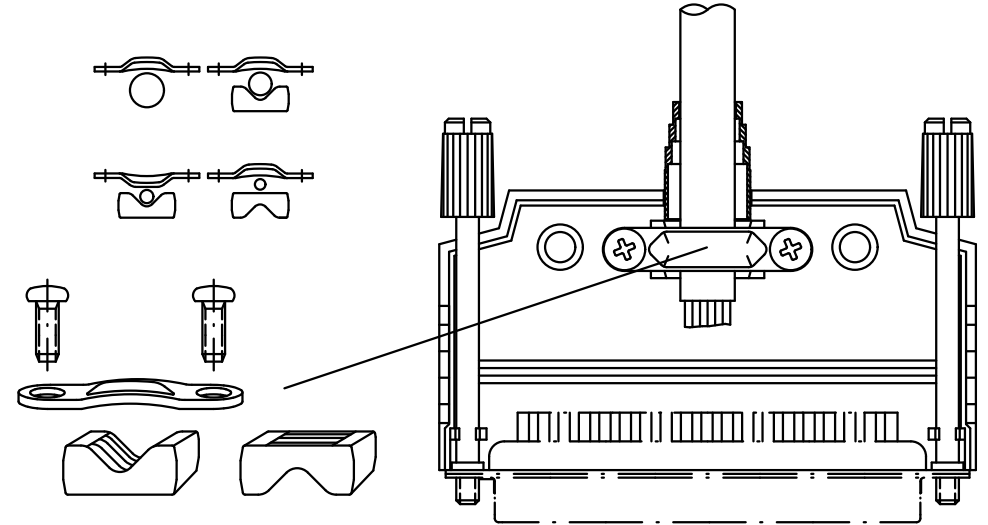
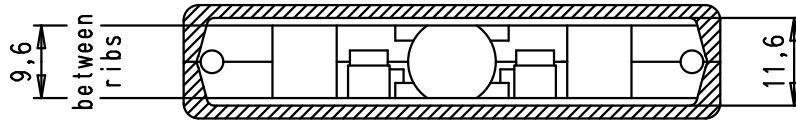
5

4

3

2

1

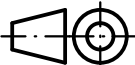



D

C

B

A

				Dat.	Name	 All Dim. in mm Orig. Size DIN A 4	D-Sub, top entry hood with knurled screws, 37 poles, thermoplastic metallized	Maßstab/ Scale
			Detail.	08/06/11	SD			1:1
			Insp.	08/06/11	JB			2:1
			Stand.					
EC03320	08/06/11	SD	HARTING EURL F-95972 Paris				TB 09 67 037 0427	Blatt/ Page
Mod.	Dat.	Name	Sub.				1 / 1	